

Self Contained Emergency LED Luminaires Design K5



- ✓ LED emergency luminaire
- ✓ Suitable for low ambient temperature up to -25°C
- ✓ 4 Pictograms included
- ✓ IP65, 3h
- ✓ Maintained or non maintained operation selectable



SCAN AND BUY

in our mobile Online Shop

INCL. AVAILABILITY INFORMATION



Ex stock

Self Contained Emergency LED Luminaires Design K5



NLK5U403 ceiling mounted



NLK5U403 wall mounted



NLK5U403 + NLK5H2



NLK5U403 + NLK5E



NLK5U403 + NLK5E + NLK5H2



NLK5U... + NLK5OPAL



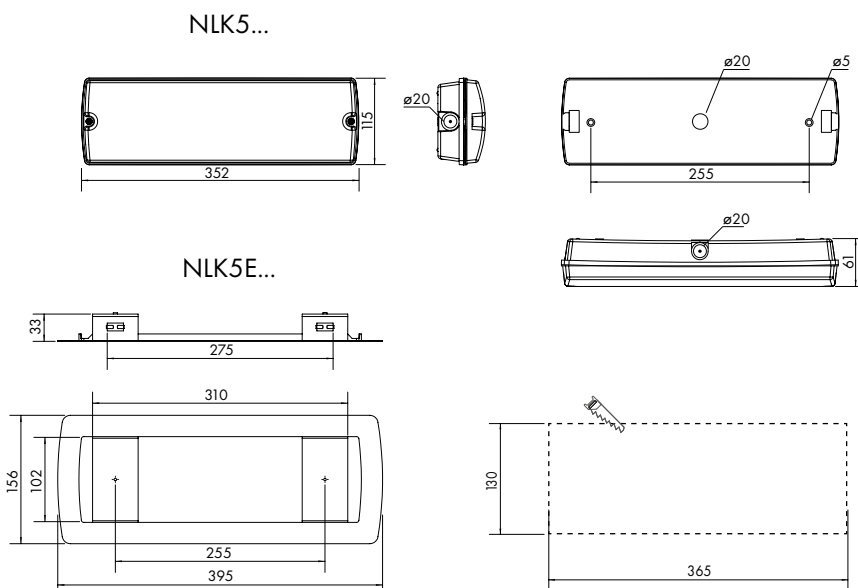
Schrack-Info

Self contained LED emergency luminaire according to EN 60598-1, EN 60598-2-22, ISO 7010 and EN 1838 for wall- or ceiling surface mounting. Suitable for maintained or non-maintained operation (for non maintained operation: remove wire bridge between L and Ls). Sticker pictogram set (left, right, up, down) according to ISO 7010 included. Autonomy time 3h. Also available as an autotest version (NLK5UT13SC) with low temperature LiFePO₄ battery for ambient conditions up to -25°C and as central battery emergency luminaire for electrical circuit monitoring (NLK5U019).

Technical data

Case material:	plastic, white
Viewing distance:	20m (optional 25m with NLK5H2)
Pictograms:	4 stickers (left, right, up, down) according to ISO 7010 included
Illuminant:	NLK5U403: 16 LED, NLK5UT13SC and NLK5U019: 30 LED
Luminous flux:	NLK5U403: 130lm, NLK5UT13SC and NLK5U019: 190lm
Mains voltage:	220-240VAC 50/60Hz
Autonomy time:	3h
Battery type:	LiFePO ₄
Connected load:	NLK5U403: 3W, NLK5UT13SC: 3.5W, NLK5U519: 3.8W
Protection category:	IP65
Insulation class:	II
Mounting:	wall surface, ceiling surface, optional: ceiling recessed
Permitted temp. range:	NLK5U403: 0°C to +35°C, NLK5UT13SC, NLK5U519: -25°C to +35°C

Dimensions

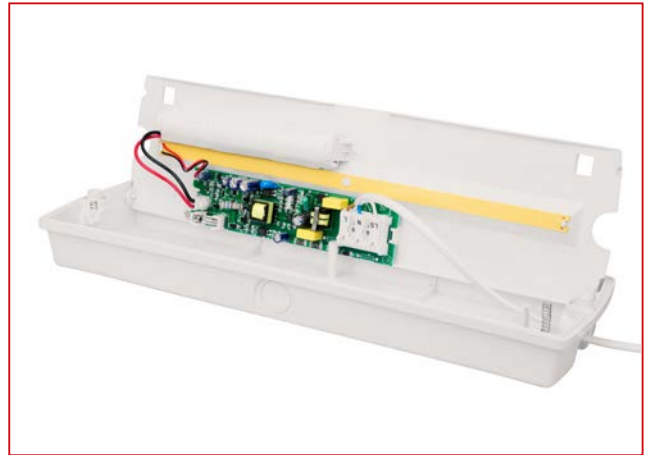


Self Contained Emergency LED Luminaires Design K5

- 4 pictogram stickers (arrow left, right, up, down) included



- Easy installation: large connection space, cage clamp for wires up to 2.5mm² and 4 cable inlets



- Optional legend sign (NLK5H2) – viewing distance: 25m



- Optional recessed frame (NLK5E)



- Distance table NLK5U403--

Mounting level (m)					
2.00	2.27	5.79	6.55	7.57	2.82
2.50	2.16	6.19	6.96	7.69	2.88
3.00	1.96	6.52	7.33	8.18	3.03
3.50	1.76	6.43	7.39	8.21	3.06
4.00	1.62	6.19	7.34	8.40	2.93

Min. illumination at the middle line: +/- 0.5m: 1lx - maintenance factor 0.80

- Distance table NLK5UT13SC, NLK5U019

Mounting level (m)					
2.00	2.96	7.38	7.40	7.43	2.96
3.00	3.27	8.60	8.60	8.60	3.26
4.00	3.25	9.22	9.22	9.22	3.24
5.00	2.89	9.38	9.38	9.37	2.88
6.00	2.01	9.09	9.09	9.08	2.00

Min. illumination at the middle line: +/- 0.5m: 1lx - maintenance factor 0.80

DESCRIPTION	AVAILABLE	ORDER NO.
Self-Contained Emergency Luminaires		
Design K5 LED/3h, 230V AC, universal mounting, 130lm, LiFePO ₄ 3.2V/1.5Ah battery, including adhesive pictogram set		NLK5U403
Self-Contained Emergency Luminaires with Autotest		
Design K5 LED, 3 h, 230 V AC, 190 lm, LiFePO ₄ 3.2V/3.2Ah battery suitable for low temperatures -25° to 40°C, universal mounting, including adhesive pictogram set		NLK5UT13SC
Luminaires for LPS/CPS Systems for Electrical Current Supervision		
Design K5 LED, 230V AC/DC, universal mounting, 190lm, including adhesive pictogram set		NLK5U019
Accessories		
Ceiling recessed frame white for emergency luminaires design K5		NLK5E
Hanging sign for emergency luminaires K5 with plug in pictogram set according to ISO 7010 (arrow left, right, up, down and white foil for single side use), viewing distance 25m		NLK5H2
Opal diffuser for emergency luminaires Design K5 with slide-in pictogram set according to ISO 7010 (arrow left, right, up, down and white for single sided use), viewing distance 30 m		NLK5OPAL
Battery 3.2V 1.5Ah (LiFePO ₄) for self-contained LED luminaires NLK4U403SC, NLK5U403--, NLK5U413SC, NLK6U423SC		NLAKKU321A
Battery 3.2V 3.2Ah (LiFePO ₄) for LED low temperature self-contained LED luminaires NLK6UT33SC and NLK5UT13SC		NLAKKU3232

Order no. blue: on stock, usually ready for delivery on the day of order

SCHRACK TECHNIK

THE COMPANY

HEADQUARTERS

SCHRACK TECHNIK GMBH

Seybelgasse 13, 1230 Vienna
PHONE +43(0)1/866 85-5900
FAX +43(0)1/866 85-98800
E-MAIL info@schrack.at

SCHRACK SUBSIDIARIES

BELGIUM

SCHRACK TECHNIK B.V.B.A
Twaalfapostelenstraat 14
BE-9051 St-Denijs-Westrem
PHONE +32 9/384 79 92
FAX +32 9/384 87 69
E-MAIL info@schrack.be

BOSNIA-HERZEGOVINA

SCHRACK TECHNIK BH D.O.O.
Put za aluminijski kombinat bb
BH-88000 Mostar
PHONE +387/36 352 895
FAX +387/36 352 893
E-MAIL schrack@schrack.ba

BULGARIA

SCHRACK TECHNIK EOOD
Prof. Tsvetan Lazarov 162
Druzhba - 2
BG-1582 Sofia
PHONE +359 2/890 79 13
FAX +359 2/890 79 30
E-MAIL sofia@schrack.bg

CROATIA

SCHRACK TECHNIK D.O.O.
Zavrtnica 17
HR-10000 Zagreb
PHONE +385 1/605 55 00
FAX +385 1/605 55 66
E-MAIL schrack@schrack.hr

CZECH REPUBLIC

SCHRACK TECHNIK SPOL. SR.O.
Dolnomecholupska 2
CZ-10200 Praha 10 – Hostivar
PHONE +420 (0)2/810 08 264
FAX +420 (0)2/810 08 462
E-MAIL praha@schrack.cz

HUNGARY

SCHRACK TECHNIK KFT.
Vidor u. 5
H-1172 Budapest
PHONE +36 1/253 14 01
FAX +36 1/253 14 91
E-MAIL schrack@schrack.hu

GERMANY

SCHRACK TECHNIK GMBH
Thomas-Wimmer-Ring 17
D-80539 Munich
PHONE +49 89/999 533 900
FAX +49 89/999 533 902
E-MAIL info@schrack-technik.de

POLAND

SCHRACK TECHNIK POLSKA
SP.ZO.O.
ul. Staniewicka 5
PL-03-310 Warszawa
PHONE +48 22/205 31 00
FAX +48 22/205 31 01
E-MAIL kontakt@schrack.pl

ROMANIA

SCHRACK TECHNIK SRL
B-dul Iuliu Maniu nr 453-457, sect. 6
RO-061101 Bucharest
PHONE +40 21/317 02 35 42
FAX +40 21/317 02 62
E-MAIL bucuresti@schrack.ro

SERBIA

SCHRACK TECHNIK D.O.O.
Bulevar Peka Dapčevića 42
RS-11000 Beograd
PHONE +38 1/11 309 2600
FAX +38 1/11 309 2620
E-MAIL office@schrack.rs

SLOVAKIA

SCHRACK TECHNIK S.R.O.
Ivanská cesta 10/C
SK-82104 Bratislava
PHONE +421 (02)/491 081 01
FAX +421 (02)/491 081 99
E-MAIL info@schrack.sk

SLOVENIA

SCHRACK TECHNIK D.O.O.
Pameče 175
SLO-2380 Slovenj Gradec
PHONE +38 6/2 883 92 00
FAX +38 6/2 884 34 71
E-MAIL schrack.sg@schrack.si



F-K5--EN25