

Current-Transformers, for busbar 40x10mm



MG955080-A

Schrack-Info

- Current transformers for low-voltage network
- Single-phase current transformer
- Passing cable up to 26 mm diameter or busbar 30 x 15 or 40 x 10 mm, primary
- Primary current 50...600A
- Secondary current 5A

Technical Data

Reference Standards	EN60044-1
Specifications	
Rated primary current I_{pr}	250A, 400A, 500A, 600A, 800A
Rated frequency:	50Hz
Working frequency:	47 - 63Hz
Rated continuous thermal current according to EN60044-1 (I_{cth})	
Rated short-time thermal current I_{th}	$< 60I_{pr}$
Rated dynamic current I_{dyn}	$2,5I_{th}$
Instrument security factor (FS):	≤ 5
Rated secondary current I_s	5A
Rated burden:	1,5...12VA (see table)
Accuracy class:	0,5 - 1 (see table)
Max. power dissipation for switchboard thermal calculation:	$\leq 11,5W$ at I_{cth}
The allowed max cable or busbar temp is:	125°C
Isolation Requirements	
Dry transformer, air insulation	
Highest voltage for equipment U_m :	0,72kV r.m.s.
Rated insulation level:	3kV r.m.s. 50Hz/1 min
Class of insulation (EN60044-1):	B
Environmental Conditions	
Non-exposed installation (EN60044-1)	
Reference temperature:	23°C \pm 1°C
Nominal temperature range:	- 25...50°C
Daily mean temperature:	$\leq 30^\circ C$
Limit temperature range for storage:	- 40...85°C
Relative humidity:	$\leq 85\%$ (Suitable for tropical climates)

Limits of Currents Error

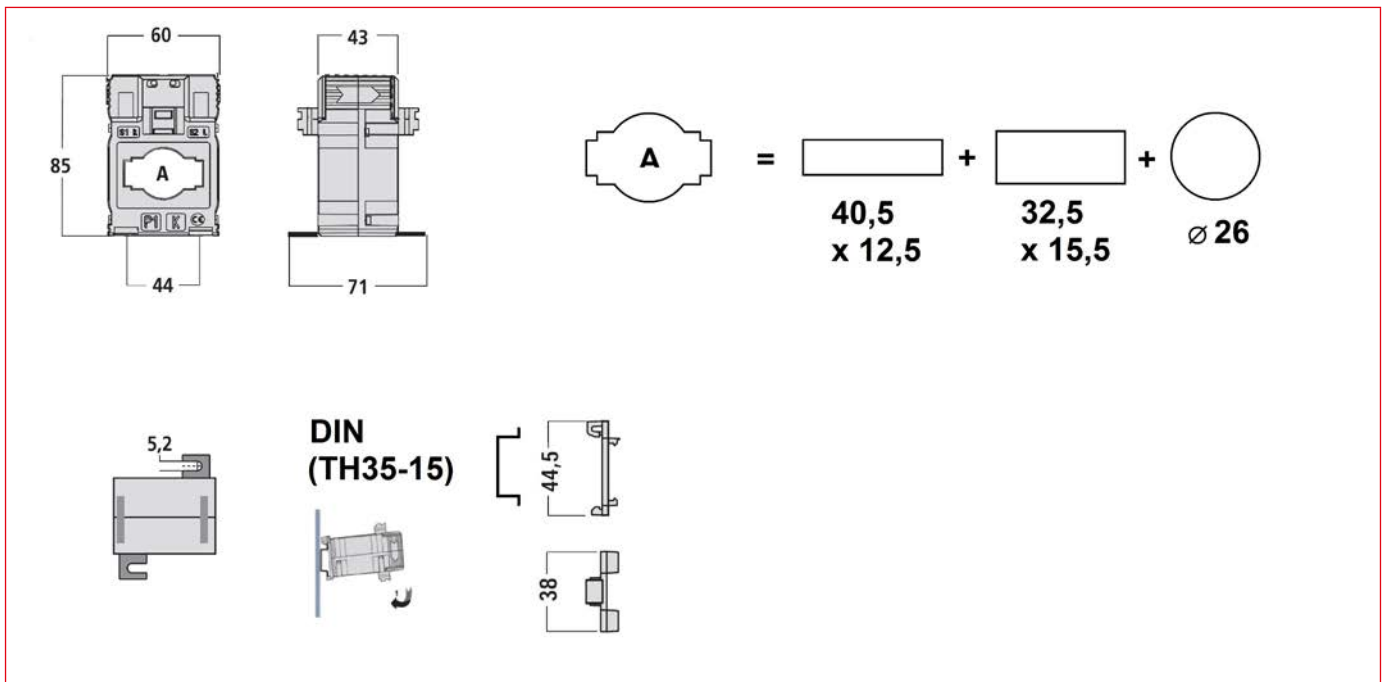
Accuracy-class	\pm Percentage current (ratio) error at percentage of rated current shown below			
	5% I_n	20% I_n	100% I_n	120% I_n
0,5	1,5	0,75	0,5	0,5
1	3	1,5	1	1

Rated Burden

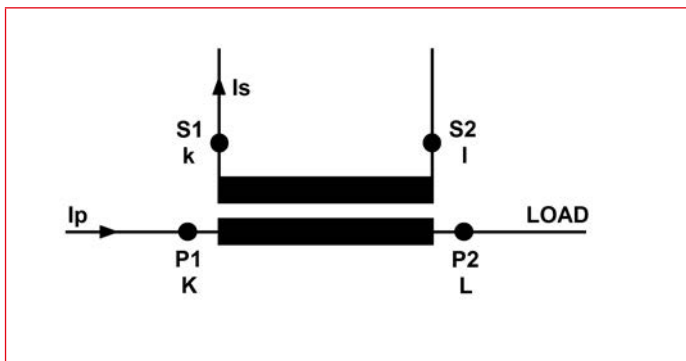
Type:	Class 0.5	Class 1
250/5A	3VA	4VA
300/5A	4VA	6VA
400/5A	6VA	8VA
500/5A	6VA	8VA
600/5A	6VA	8VA
800/5A	10VA	12VA

Current-Transformers, for busbar 40x10mm

Dimensions



Wiring Diagram



Technical Data

Housing	
Housing material:	self-extinguishing polycarbonate
Protection degree (EN60529):	IP20
Fixing:	screw facility for wall mounting, Option: fixing 35 mm rail mounting (EN50022)
DIN-rail-type:	TH35-15 (EN60715)
Weight:	300 gr.

Connections	
Primary winding:	continuous wire
Torque for busbar mounting	0,2 Nm
Secondary winding:	Screw-terminals 6 mm ² , Faston 4,8 x 0,8
Terminal description:	Primary winding P1(K) – P2(L) Secondary winding s1(k) – s2(l)

DESCRIPTION	AVAILABLE	ORDER NO.
250/5A		MG955025-A
400/5A		MG955040-A
500/5A		MG955050-A
600/5A		MG955060-A
800/5A		MG955080-A