

Current-Transformers, for Cable 21 mm Ø



MG952025-A

Schrack-Info

- Low voltage measuring current transformer
- Passing cable primary Single-phase current transformer
- For wires up to 21 mm diameter
- Primary current 40...250A
- Secondary current 5A

Technical Data

Reference standards:	EN60044-1, BS3938, BS7626	
Electrical	Rated primary current:	40A, 50A, 60A, 80A, 100A, 150, 200A, 250A
	Rated secondary current:	5A
Housing	Housing material:	self-extinguishing polycarbonate, classification V0 according to UL-94
	Protection degree (EN60529):	IP20
	Fixing:	screw facility for wall mounting Option: fixing 35 mm rail mounting (EN50022)
	Weight:	180 grams
Connections	Secondary winding:	screw terminals max. 2 separated wires 2,5 mm ²

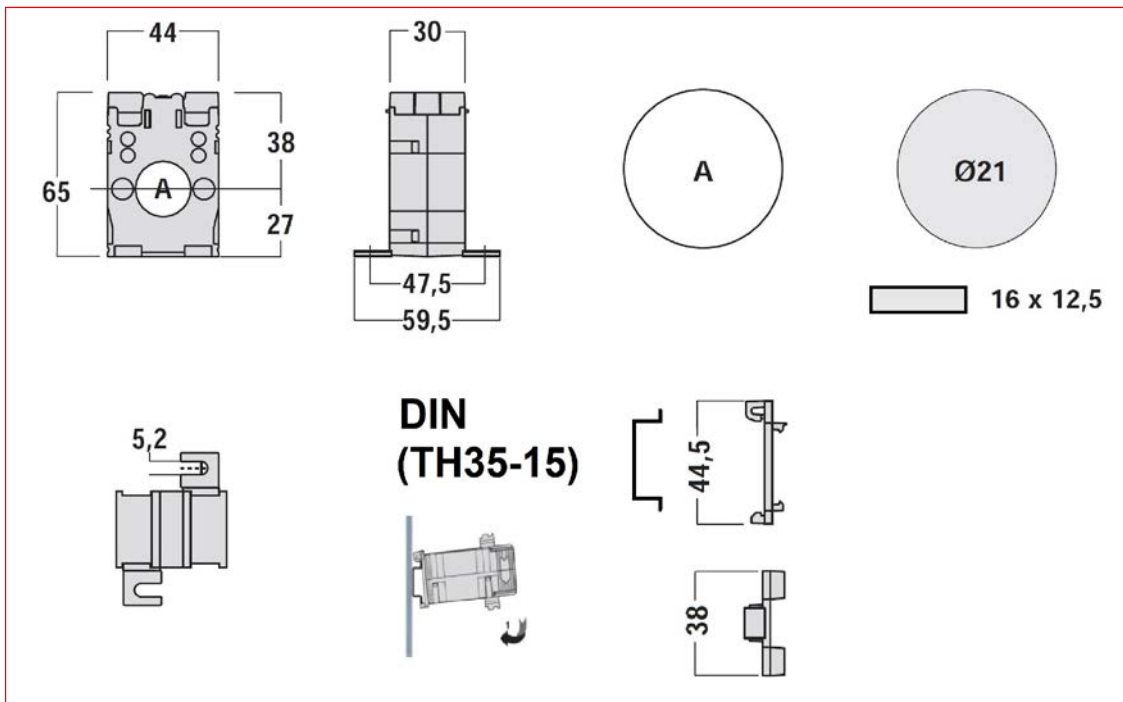
Rated Burden

Type:	Class 0,5	Class 1	Class 3
40/5A			1VA
50/5A		1VA	1,5VA
60/5A		1VA	2VA
80/5A		1,5VA	2,5VA
100/5A	1,5VA	2,5VA	
150/5A	3VA	4VA	
200/5A	4VA	5,5VA	
250/5A	5VA	6VA	

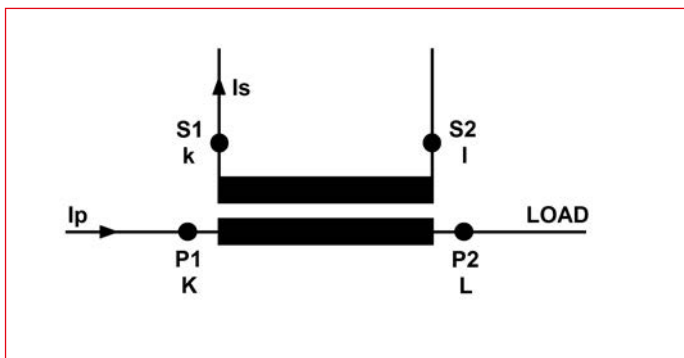
Current Transformers

Current-Transformers, for Cable 21 mm Ø

Dimensions



Wiring Diagram



DESCRIPTION	AVAILABLE	ORDER NO.
40/5A		MG952004-A
50/5A		MG952005-A
60/5A		MG952006-A
80/5A		MG952008-A
100/5A		MG952010-A
150/5A		MG952015-A
200/5A		MG952020-A
250/5A		MG952025-A