

## Modular Current Transformers



MG900220

### Schrack-Info

- Suitable for other REG devices
- Easy to feedthrough
- For coarse display of measured value
- Space-saving - only 2 MW wide

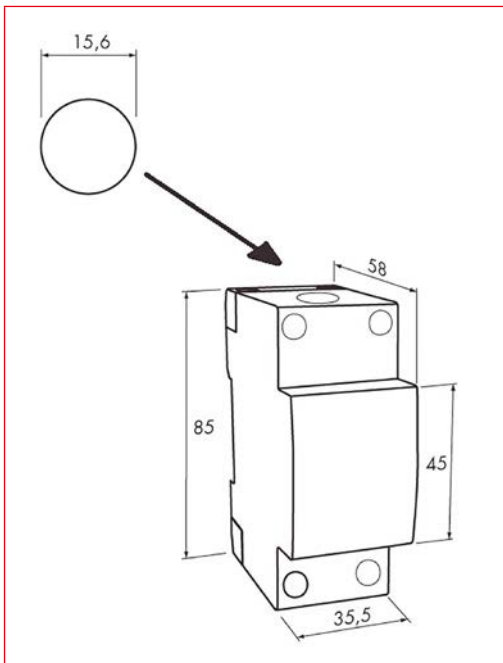
### Technical Data

<b>Primary current:</b>	<b>40 A, 50 A, 60 A, 80A, 100A, 150A</b>
Secondary current:	5A
Nominal voltage:	400V
Frequency:	50Hz
Mounting:	DIN-rail

### Rated Burden

Primary current	Class 1	Class 3
40 A	-	2 VA
50 A	-	2 VA
60 A	-	3 VA
80 A	-	3 VA
100 A	3 VA	-
120 A	5 VA	-
150 A	5 VA	-

### Dimensions



DESCRIPTION	AVAILABLE	ORDER NO.
40/5A		<b>MG900220</b>
50/5A		<b>MG900221</b>
60/5A		<b>MG900222</b>
80/5A		<b>MG900224</b>
100/5A		<b>MG900225</b>
150/5A		<b>MG900227</b>