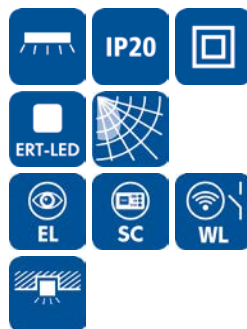


Luminaire Design DO



NLDOE023SC



Mobil Code



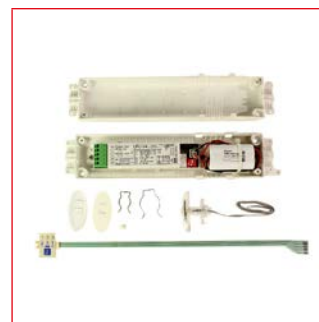
NLDOE023SC



NLDOE023SC



NLDOE023SC



NLDOE023SC

Schrack-Info

Compact ERT LED luminaire with oval-beam 1 x 1 W ERT LED for illuminating escape and rescue routes according to EN 60598-1, EN 60598-2-22 and EN 1838. Suitable for recessed ceiling mounting and for mounting on T5/T8 light sources, optionally also for installation on metal bases (wall plugs and clips included, magnetic plate optionally available).

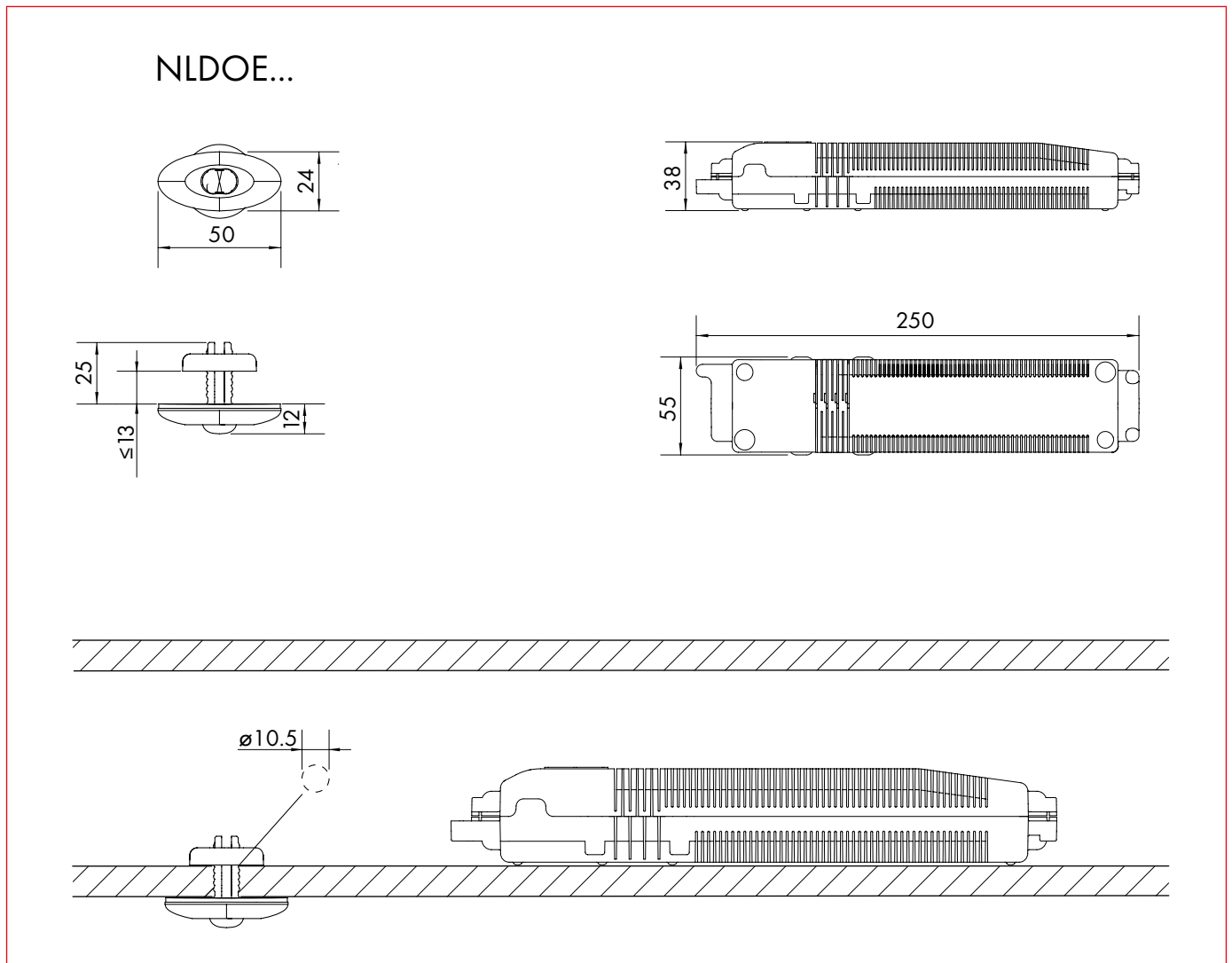
The transparent body material of the spot makes this luminaire a perfect match in any setting. The electronics are installed in a recessed-mounting box. By using highly efficient ERT LEDs light is distributed uniformly, which is considered ideal for illuminating emergency routes. For self-contained LED autotest luminaires it is possible to choose between the battery powered operating times 1 h, 3 h or 8 h (default setting at delivery 3 h).

Technical Data

Enclosure material:	Transparent plastic
Light source:	ERT LED 1 W
Rated voltage self-contained:	230 V AC 50 Hz ±20%
Rated voltage CPS/LPS:	230 V AC 50 Hz ±20%, 230 V DC ±20%
Deegree of protection:	IP20
Appliance class:	II
Types of mounting:	Recessed ceiling mounting, can be snapped on to T5/T8
Permitted ambient temperature:	-5°C to +40°C

■ Luminaire Design DO

■ Dimensions (mm)



■ Spacing Tables - Min. Illuminance on Centre Line: 1 lx

Spacing table NLDOE029EL(ML) / NLDOE023SC, 1 h, 3 h backup time / NLDOE023WL - maintenance factor MF 0.80



Mounting height [m]					
2,00	1,51	3,74	7,22	10,83	4,71
2,50	1,62	4,16	8,30	12,62	5,36
3,00	1,73	4,49	9,14	14,14	5,64
3,50	1,71	4,74	9,65	15,34	5,60
4,00	1,54	4,89	9,32	16,14	4,44

Spacing table NLDOE023SC, 8 h backup time - maintenance factor MF 0.80

Mounting height [m]					
2,00	1.35	3.34	6.67	10.12	4.29
2,50	1.39	3.67	7.46	11.60	4.51
3,00	1.34	3.89	7.79	12.72	4.13
3,50	1.14	3.98	6.90	12.95	2.94
4,00	0.71	3.92	6.01	12.27	1.78

Luminaires for Illuminating Escape Routes

Luminaire Design DO

DESCRIPTION	ILLUMINANT	LUMEN	BATTERY (V/AH)	AVAILABLE	ORDER NO.
Luminaires for LPS/CPS systems with monitoring - central switching					
Design DO 1x1 W ERT LED, 230 V AC/DC recessed mounting, with recessed mounting box for electronics	ERT-LED (1W)	140			NLDOE029EL
Self-contained luminaires with autotest					
Design DO 1x1 W ERT LED, 3 h, 230 V AC, recessed mounting, with recessed mounting box for electronics, setting options 1 h/3 h/8 h	ERT-LED (1W)				
		1 h: 140			
		3 h: 140			
		8 h: 91	4,8/2,0 NiMh		NLDOE023SC
Self-contained luminaires with WirelessControl Professional					
Design DO 1x1 W ERT LED, 3 h, 230 V AC, recessed mounting, with recessed mounting box for electronics, radio switchable	ERT-LED (1W)	140	4,8/2,0 NiMh		NLDOE023WL
Accessories					
Battery 4.8 V 2.0 Ah (NiMh) for self-contained LED luminaires with LPU or LEM module					NLAKKU4820