

DATA SHEET: TIMERS ZR5ER011



SCHRACK-INFO

- 2 functions
- 7 time ranges
- Wide input voltage range
- 1 change over contact
- Width 17,5 mm
- Installation design

TECHNICAL DATA

1. Functions

The function has to be set before connecting the relay to the supply voltage.

E ON delay
R OFF delay

2. Time ranges

Time range	Adjustment range	
1 s	50 ms	1 s
10 s	500 ms	10 s
1 min	3 s	1 min
10 min	30 s	10 min
1 h	3 min	1 h
10 h	30 min	10 h
100 h	5 h	100 h

3. Indicators

Green LED U/t ON: indication of supply voltage
Green LED U/t flashes: indication of time period
Yellow LED R ON/OFF: indication of relay outputs

4. Mechanical design

Self-extinguishing plastic housing, IP rating IP40
Mounted on DIN-rail TS 35 according to EN 50022
Mounting position: any
Shockproof terminal connection according to VBG 4 (PZ1 required), IP rating IP20

Tightening torque: max. 1 Nm

Terminal capacity:

- 1 x 0.5 to 2.5 mm² with/without multicore cable end
- 1 x 4 mm² without multicore cable end
- 2 x 0.5 to 1.5 mm² with/without multicore cable end
- 2 x 2.5 mm² flexible without multicore cable end

5. Input circuit

Supply voltage: Terminals A1(+)-A2
Types ZR5..24-240 V AC/DC: 24 to 240 V AC/DC
Tolerance: 24 V-15% to 240 V+10%
Rated consumption: 4 VA (1.5 W)
Rated frequency: AC 48 to 63 Hz
Duty cycle: 100%
Reset time: 100 ms
Residual ripple for DC: 10%
Drop-out voltage: >30% of minimum rated supply voltage
Overvoltage category: III (according to IEC 60664-1)
Rated surge voltage: 4 kV

6. Output circuit

1 potential free change over contact
Rated voltage: 250 V AC
Switching capacity: 2000 VA (8 A / 250V)
Fusing: 8 A fast acting
Mechanical life: 20 x 10⁶ operations
Electrical life: 2 x 10⁵ operations at 1000 VA resistive load
max. 60/min at 100 VA resistive load
max. 6/min at 1000 VA resistive load (according to IEC 947-5-1)
Switching frequency: III. (according to IEC 60664-1)
Overvoltage category: 4 kV
Rated surge voltage: 4 kV

7. Control input

Input not potential free: Terminals A1-B1
Loadable: yes
Max. line length: 10m
Trigger level (sensitivity): automatic adaption to supply voltage
Min. control pulse length: DC 50 ms / AC 100 ms

8. Accuracy

Base accuracy: ±1% of maximum scale value
Adjustment accuracy: <5% of maximum scale value
Repetition accuracy: <0.5% or ±5 ms
Voltage influence: -
Temperature influence: ≤0.01% / °C

9. Ambient conditions

Ambient temperature: -25 to +55 °C (according to IEC 68-1)
Storage temperature: -25 to +70 °C
Transport temperature: -25 to +70 °C
Relative humidity: 15% to 85% (according to IEC 721-3-3 class 3K3)
Pollution degree: 2, if built in 3 (according to IEC 664-1)
Vibration resistance: 10 to 55 Hz 0.35 mm (according to IEC 68-2-6)
Shock resistance: 15 g 11 ms (according to IEC 68-2-27)

FUNCTIONS

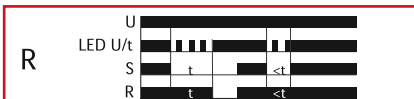
ON delay (E)

When the supply voltage U is applied, the set interval t begins (green LED U/t flashes). After the interval t has expired (green LED U/t illuminated) the output relay R switches into on-position (yellow LED illuminated). This status remains until the supply voltage is interrupted. If the supply voltage is interrupted before the expiry of the interval t, the interval already expired is erased and is restarted when the supply voltage is next applied.



OFF delay (R)

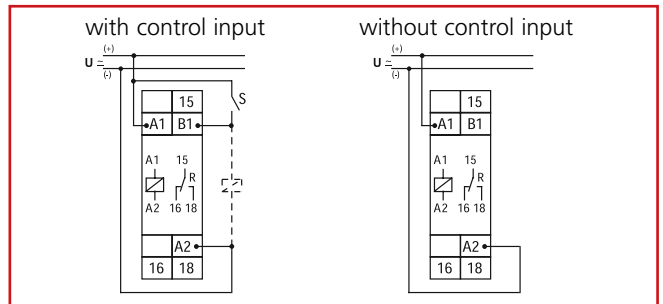
The supply voltage U must be constantly applied to the device (green LED U/t illuminated). When the control contact S is closed, the output relay R switches into on-position (yellow LED illuminated). If the control contact is opened, the set interval t begins (green LED flashes). After the interval t has expired (green LED U/t illuminated) the output relay switches into off-position (yellow LED not illuminated). If the control contact is closed again before the interval t has expired, the interval already expired is erased and is restarted.



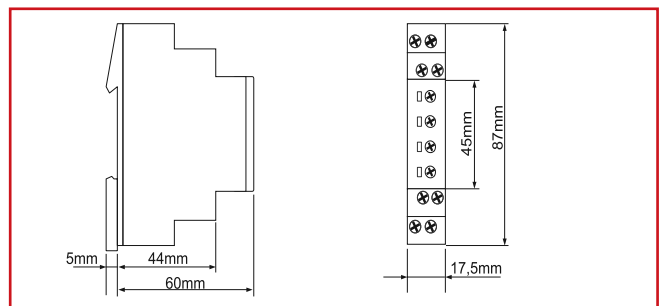
WEIGHT

Single packing: 72 g
Package 10 pcs: 670 g per Package

CONNECTIONS



DIMENSIONS



ARTICLE NUMBER

DESCRIPTION	ORDER NO.
Double function timerelay E (ON delay) + R (OFF delay), 24-240VAC, 1 change over, 8A/250V	ZR5ER011