

■ Datasheet: D02-Fuse switch disconnecter, 3-poles, fixed current rate, complete




■ SCHRACK-INFO

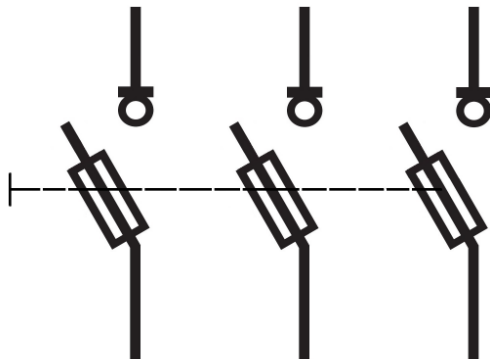
- Coding for each current level
- Layman suitable
- For D0-Fuse links from 25 A, 35 A, 40 A or 50 A
- Plug-in technique without screw caps
- Rated short circuit 50 kA
- Lockable, sealable, feed in from both sides
- Visible disconnection

■ Technical datas

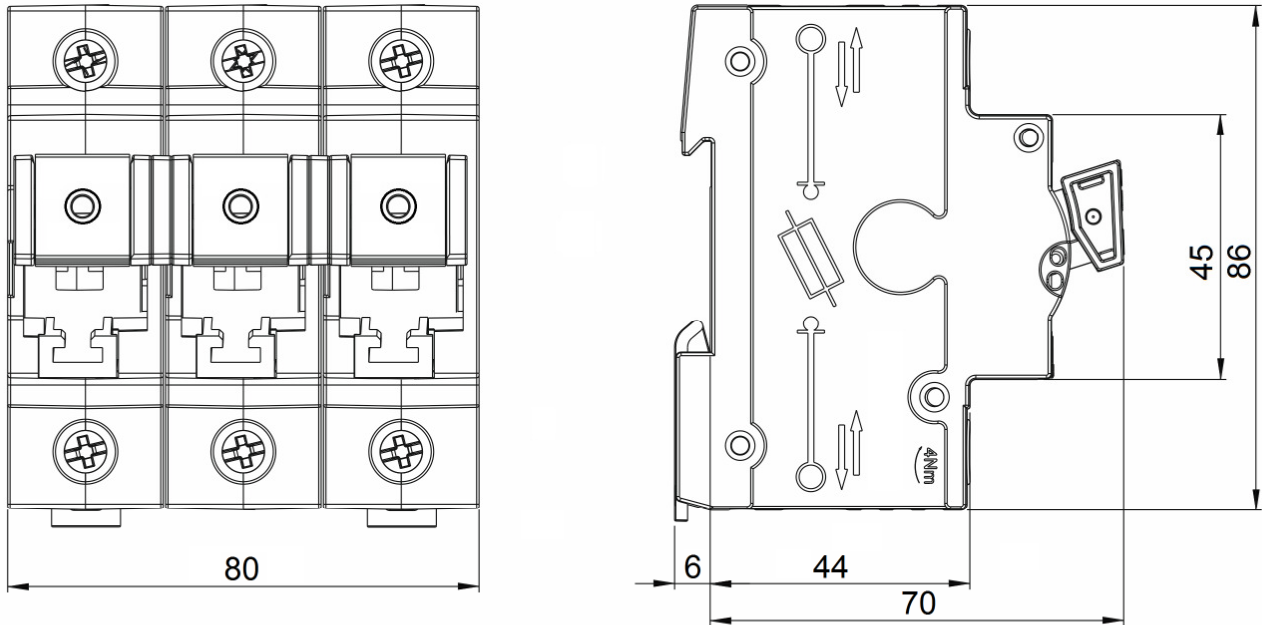
Classification	Fuse-switch-disconnector	
Standards	EN 60947, IEC 60947-3 / DIN VDE 0636 Teil 41, DIN VDE 0660 Teil 107, IEC 60269-3 /DIN VDE 0638, DIN VDE 43880	
Poles	3-pole	
Handling	Plug-in technique without screw caps	
Suitable for fuses	IS509325--	25 A gL/gG
	IS509335--	35 A gL/gG
	IS509340--	40 A gL/gG
	IS509350--	50 A gL/gG
Ambient air temperature Storage min/max	- 25°C/ + 100°C	
Operation min/max	- 25°C/ + 60°C	
Insulating parts synthetic	material free of halogen, phosphorus and silicone	
Fire class / creep resistance	UL94/V0, Glühdrahtprüfung 960°C/CTI 600	
Protection / contact-voltage protection	IP 20/finger and backhand protection	

Rated operation voltage U_e	400 V-AC
Rated operation current I_e	63 A
Rated constant current I_U	63 A
Overvoltage category / Pollution degree	IV/3 (DIN VDE 0110)
Rated surge capacity U_{imp}	6000 V
Rated special voltage	400 V-AC
Rated short circuit making capacity I_{CM}	50kAeff
Switching categorie AC 22B	AC 22B
Power loss	IS509325-- 13,8 W with fuses
	IS509335-- 15,3 W with fuses
	IS509340-- 15,3 W with fuses
	IS509350-- 18,3 W with fuses
max. Heating at I_U and room temperature	Handling with fuse plugs ca.30°C
Connection technique	Stainless steel terminal cage without galvanic surface
Terminal - Branch terminal suitable for	a) 1 solid conductor, fine or multiple wires 1,5mm ² - 35mm ²
	b) above: terminal lugs of wiring bars under: fine wires with wire end ferrule 6 mm ²
	c) 2 solid conductor fine wires with wire end ferrule from each 2 x 1,5 mm ² - each 2 x 16 mm ²
Torque MD M6 Pozidriv	4Nm
Lockable	by customary padlock
Sealable	yes
Feed in both sides	in both sides
Quick mountig device top at DIN-rail	EN 50022

 Wiring diagram



Dimensions



Articles

Description	Article
D02-Fuse switch disconnecter, 3-poles, 25A fixed, complete	IS509325--
D02-Fuse switch disconnecter, 3-poles, 35A fixed, complete	IS509335--
D02-Fuse switch disconnecter, 3-poles, 40A fixed, complete	IS509340--
D02-Fuse switch disconnecter, 3-poles, 50A fixed, complete	IS509350--