

■ Datasheet: IS211x61-A COMBTEC ZS BC TNS, TT 300/7,5+RC or 300/12,5+RC

LIGHTNING CURRENT - & SURGE PROTECTIVE DEVICE

For the 40 mm Busbar Systems



COMBTEC ZS BC TNS, TT 300/7,5+RC

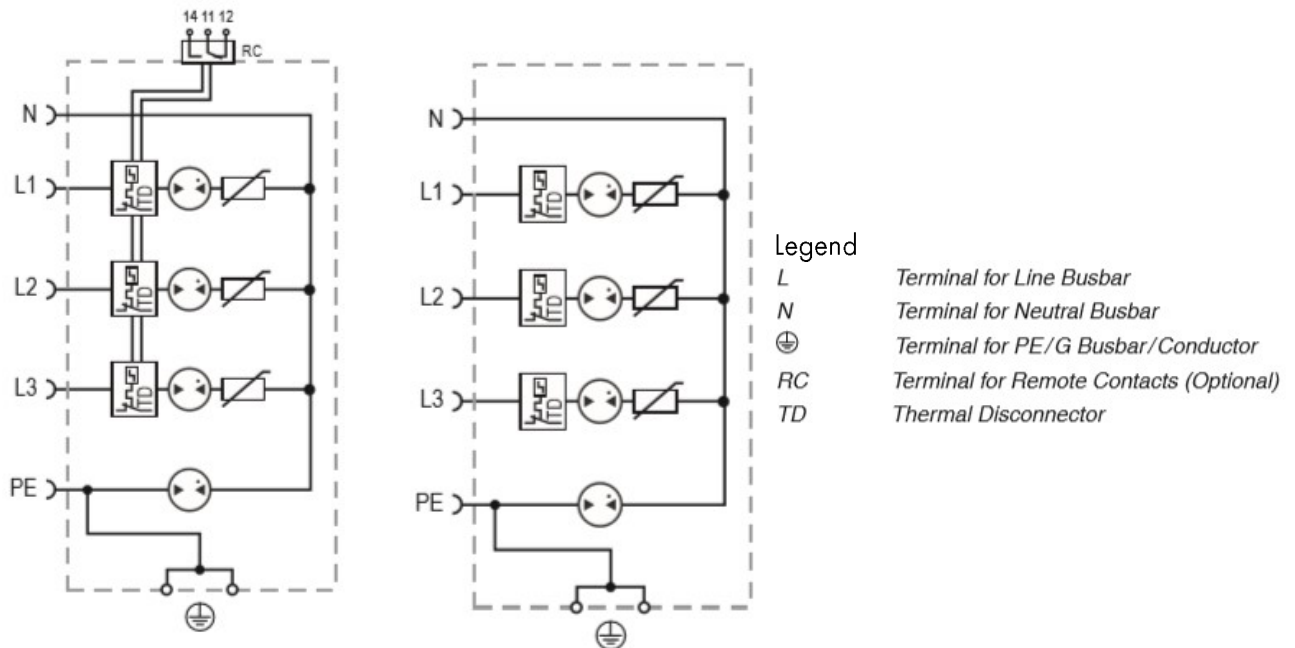


COMBTEC ZS BC TNS, TT 300/12,5+RC

■ Technical Data

art.no.	IS211161-A	IS211261-A
description	COMBTEC ZS BC TNS, TT 300/7,5+RC	COMBTEC ZS BC TNS, TT 300/12,5+RC
Acc. to	IEC 61643-11:2011 / EN 61643-11:2012	
Nominal AC Voltage (50/60Hz) $U_o$	240 V	240 V
Max. Continuous Operating Voltage $U_c$	300 V (L-N), 305 V (N-PE)	300 V (L-N), 305 V (N-PE)
Impulse Current (10/350 $\mu$ s) $I_{imp}$	7,5 kA / 30 kA	12,5 kA / 50 kA
Specific Energy (W/R)	14 kJ/ $\Omega$ / 225kJ/ $\Omega$	39 kJ/ $\Omega$ / 625kJ/ $\Omega$
Charge Q	3,75 As / 15 As	6,75 As / 25 As
Max. Discharge Current (8/20 $\mu$ s) $I_{max}$	50 kA / 100 kA	50 kA / 100 kA
Nominal Discharge Current (8/20 $\mu$ s) $I_n$	20 kA / 80 kA	20 kA / 80 kA
Voltage Protection Level $U_p$	1,5 kV	1,5 kV
Follow Current Interrupt Rating $I_n$	100 A RMS	100 A RMS
Response Time $t_A$	< 100 ns	< 100 ns
Overcurrent Protection (max)	315 A gG	315 A gG
TOV Withstand 120min (L-N) $U_T$	442 V	442 V
TOV Withstand 200s (N-PE) $U_T$	1200 V	1200 V
Thermal Protection	Yes	Yes
Max. Terminal Cross Section	1,5 Nm	1,5 Nm
Short-Circuit Current Rating $I_{SCCR}$	25 kA	25 kA
Operating Temperature Range $T_a$	-40 °C - +85 °C	
Permissible Operating Humidity RH	5%...95%	
Conductor Cross Section	35 mm <sup>2</sup> (Solid, Stranded) 25 mm <sup>2</sup> (Flexible)	
Mounting	40 mm Busbar System	
Degree of Protection	IP20	
Housing Material	Thermoplastic: Extinguishing Degree UL 94 V-0	
Dimensions	47 x 74 x 224 mm	
Weight (g)	752 g	
<b>Remote Contacts (RC)</b>		
Contact Switching Capacity	AC: 250V/ 1A , 125 V/ 1A; DC: 48V/0.5A , 24V/0.5A , 12V/0,5A	
Conductor Cross Section	max . 1,5 mm <sup>2</sup>	
Max. Terminal Torque	0,25 Nm	

## Internal Configuration



COMBTEC ZS BC TNS, TT 300/7,5+RC or 300/12,5+RC

## Dimensions

