

■ Datasheet: El. Main branch term., 1 pole, 160A, in. 1x70mm², out. 6x16mm²



IKB01070

■ SCHRACK-INFO

Article-description: El. Main branch term., 1 pole, 160A, in. 1x70mm², out. 6x16mm²

■ Assembly details

Mounting on DIN-rail or on base plate. Time savings in cabling and approximately 80% space savings. Modular construction, 1-4 pole Systems can be built with several blocks.

■ Technical data

	Material	Colour
Clamping body	Brass	Plain
Housing	PA66-V0	grey
Housing body	PA66-V0	grey
Hexagon socket set screw	Steel	Zn-Plated

■ General data

Heat deflection temp.	100°C - UL94-V0
Comparative tracking index	600V
Standard	IEC 60 947-7-1 / UL 1059

■ Electrical data

	IEC	UL	CSA
max. electrical load	160A	160A	160A
max. operating voltage	1000V AC 1500V DC	600V AC	600V AC
Protection	IP20		
Short circuit withstand	I _{pk} 2,7kA / I _{cw} 1s 11kA		

■ Cross section

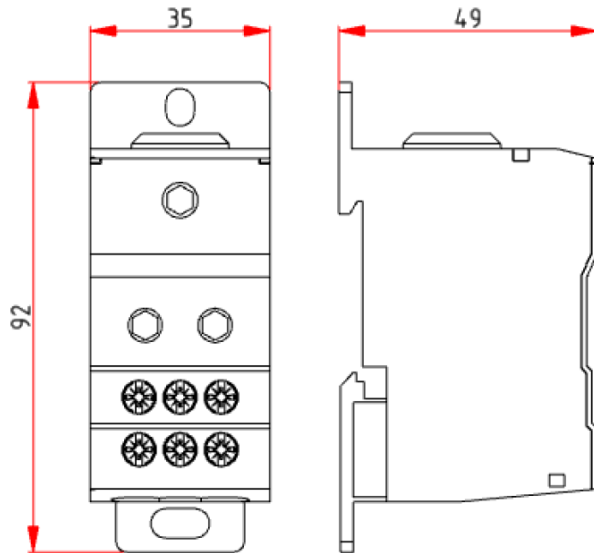
	U - single wire	K - fine wire (with sleeve)	Torque
	R - multi wire	F - fine wire (with sleeve)	
Incomer			
1 x Ø13mm	10mm ² - 70mm ² 8 AWG - 2/0 AWG		5Nm - 6Nm 44 - 53 lbf.in
Outgoings			
6 x Ø7mm	2,5mm ² - 16mm ² 14 AWG - 6 AWG		2Nm - 3Nm 13,2 - 26,5 lbf.in

■ Approval and Marking

The products are CE conform and correspond to the RoHS of the EU.

■ Datasheet: El. Main branch term., 1 pole, 160A, in. 1x70mm², out. 6x16mm²

■ Dimensional drawing



■ Models

Description	Order No.
El. Main branch term., 1 pole, 160A, in. 1x70mm ² , out. 6x16mm ²	IKB01070