

■ Al –Main branch terminal 70 mm²



■ SCHRACK-INFO

- Type C, finger safe from all sides, for side-by-side mounting
- Rated voltage 1000 V AC /DC
- Approved according to IEC 60947-7-1, IEC 61238-1 (class A)
- 25 mm², 35 mm² and 70 mm² model
- Cu and Al/Cu models
- Aluminum-terminals for solid round conductors, multi-wire conductors, fine-stranded conductors with end ferrules and also sector conductors (RM and SM)

■ Technical data

Regulations:		According to IEC 60947-7-1, IEC 61238-1 (Class A)
Nominal voltage:		1.000 V AC /1.000 V DC
Current rating:	Al	300 A (2x50mm ²)* according to IEC 61238-1 (Class A)
		* checked with Reko SFS 4880 (manufacturer - Reka Cables Ltd)
	Cu	300 A (2x50mm ²) according IEC 60947-7-1
		192 A (1x70mm ²) according IEC 60947-7-1

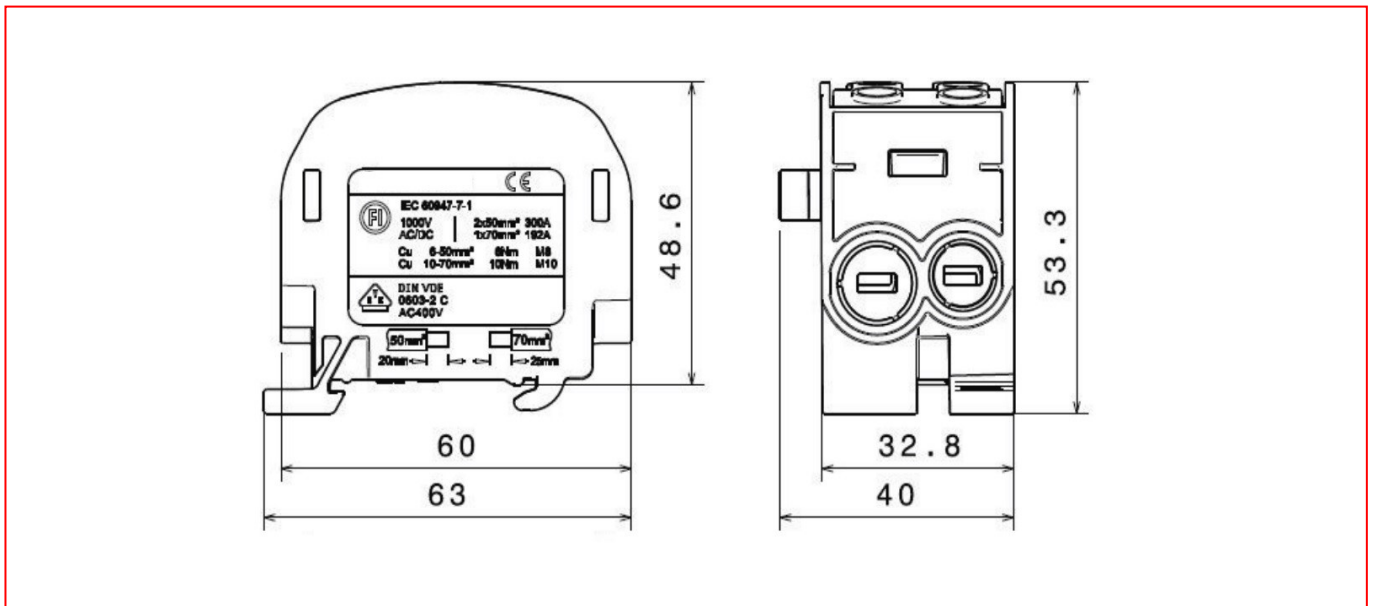
Technical data

Round conductors	2 x 70 mm ² (round conductors)			2 x 50 mm ² (round conductors)		
	Cu		Al	Cu		Al
	solid	stranded wire with ferrule	stranded	solid	stranded wire with ferrule	stranded
stranded	stranded					
70 mm ²	10 Nm	-	18 Nm	-	-	-
50 mm ²	10 Nm	10 Nm	10 Nm	6 Nm	-	10 Nm
35 mm ²	10 Nm	10 Nm	8 Nm	6 Nm	6 Nm	8 Nm
25 mm ²	10 Nm	10 Nm	6 Nm	6 Nm	6 Nm	6 Nm
16 mm ²	10 Nm	10 Nm	4 Nm	6 Nm	6 Nm	4 Nm
10 mm ²	10 Nm	10 Nm	-	6 Nm	6 Nm	-
6 mm ²	-	10 Nm	-	6 Nm	6 Nm	-
4 mm ²	-	-	-	-	6 Nm	-
Stripping length	25 mm			20 mm		
Cross recessed screw	M10 (SW 4 mm)			M8 (SW 4 mm)		

- not valid

Materials:	Terminal Body:	Brass (CuZn39Pb2)
	Housing:	PA 6 (Halogen Free)
	Screws:	steel, zinc thick film passivated
Flame resistance:	self extinguishing	
Mechanical Data:	Dimensions (WxHxD):	1 pole: 40mm x 53,3mm x 63mm

▀ Dimensions



▀ Articles

Description	Order No.
Al-Main branch terminal, 70mm ² , 1 p. grey	IKA26310--
Al-Main branch terminal, 70mm ² , 1 p. blue	IKA26320--
Al-Main branch terminal, 70mm ² , 1 p. PE	IKA26330--
Al-Main branch terminal, 70mm ² , 1 p. brown	IKA26340--
Al-Main branch terminal, 70mm ² , 1 p. black	IKA26350--