

Installation and operating instruction



Self contained rescue sign emergency luminaires design S1

Technical data

Viewing distance:	27m
Mains Voltage:	230V 50Hz
Connected Load:	6W
Autonomy time:	3h
Permitted temp. range:	-5° C to +35° C
Illuminant:	LED
Insulation class:	I
Protection category:	IP 40
Mounting:	Wall (NLS1W003SC), ceiling (NLS1D003SC) Optional for NLS1D003SC: wall bracket, pendulum, ceiling recessed



Self contained emergency luminaire according to EN 60598-1, EN 60598-2-22, ISO 7010 and EN 1838 with single or double sided labeling. Suitable for maintained and non-maintained operation. Pictogram set (left, right, up down and white) included.

Security advice:

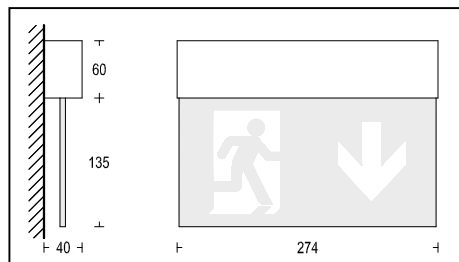
Attention: Works on the 230V mains may only be done from qualified personnel considering the local installation requirements. Before installation the supply voltage must be switched off.

Remark: In order to attain the full functionality of a self contained emergency luminaire the battery has to be charged for min. 24 hours.

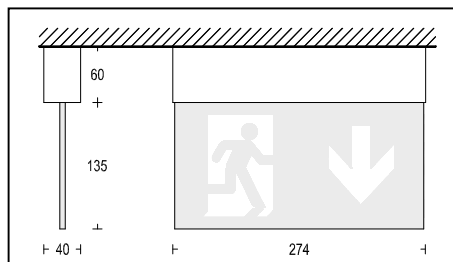


Caution: Claims for warranty cannot be lodged in the event of damage caused by non-observance of this instruction. No liability for follow-on damages resulting from this can be accepted. The installation instruction must be read thoroughly before commissioning the product.

Dimensional sketch:

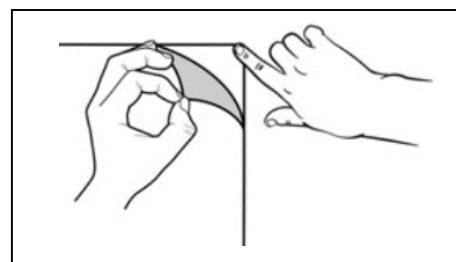


NLS1W003SC



NLS1D003SC

Preparation:



Remove protection foils on both sides

Important: Make sure the battery is replaced as stated in regulations otherwise the function of the lamp is not guaranteed. When replacing the battery don't throw old battery into domestic waste! Do not use abrasive cleaners or cleaners that contain solvent.



Function of the test button

Test button	Green LED	State
Press 1 Sek.	Off	Emergency operation 1 Sek.
Press 3 Sek.	Blinking	Short test 30 Sek
Press 5 Sek.	Flashing	Full autonomy test 3h/8h According to setting of SW2
Press 5 Sek. again	Off	Full autonomy test stopped
Press 15 Sek.		System Reset

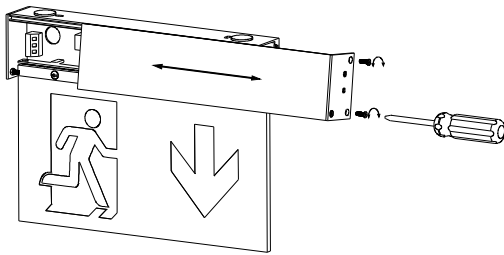
Fault messages are reset after rectifying the fault and performing a new short test.

Meaning of LED indication

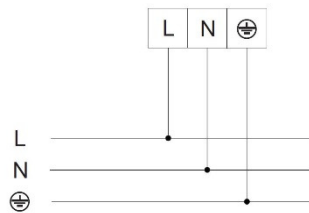
- Mains operation no fault
- Blinking short test running
- Flashing Full test running
- Full test failed
- Blinking luminaire damaged
- Flashing Battery damaged
- Mains fault and battery operation

Mounting and Commissioning

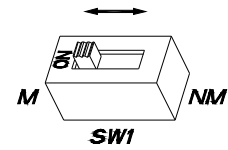
Opening/closing of the luminaire



Electrical connection



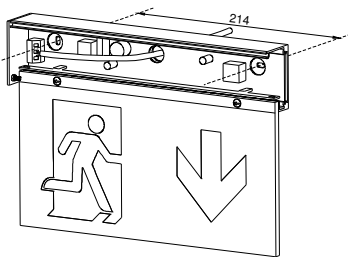
Selection of operating mode



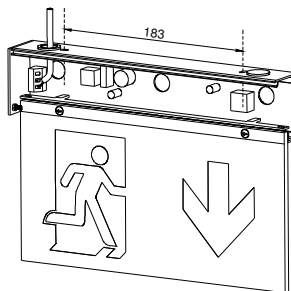
M = Maintained

NM = Non Maintained

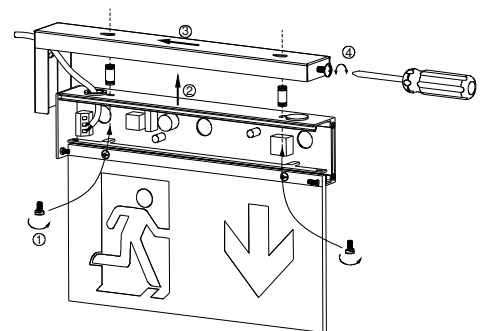
Wall mounting



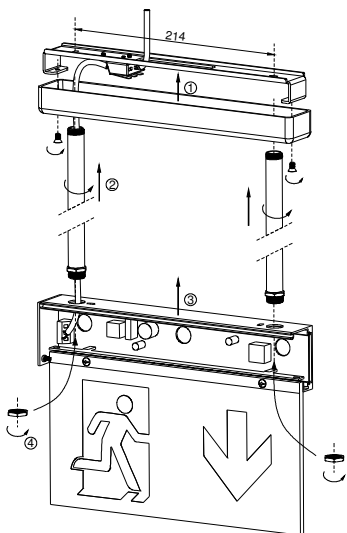
Ceiling mounting



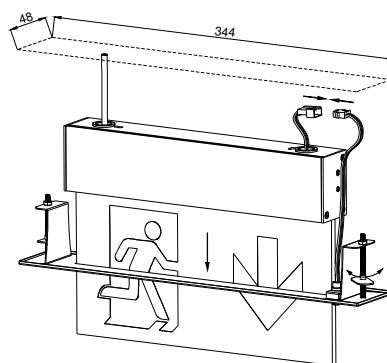
Wall bracket mounting



Pendulum mounting



Ceiling recessed mounting



Self testing system

- The first short test takes place within 7 days after commissioning at a random time. Thereafter all 7 days a short test will take place.
- The first full autonomy test takes place randomly within 52 weeks after commissioning. Thereafter all 52 weeks a full autonomy test will take place.
- In case of mains failure during a full autonomy test, the luminaire will go into emergency battery mode.
- If the battery is not fully recharged after a mains failure, a pending full autonomy test will be shifted until the battery is completely recharged after mains return.